



YORKER

**PROFESSIONAL
APPLIANCES**

AboutUs

"YORKER " has been incorporated in the United Kingdom out of the continuous pursuit of a reliable products for an affordable price.

We are specialising in professional Kitchen, cafeteria and super market equipment. meticulously engineered, cutting-edge technology and stringent quality check ensure that it meets international conformity standards and industrial norms.

A dedicated team of experts is committed to develop and deliver unique products and its excellence. Few more products being added to its line and will be available soon.

"YORKER" products are now available all over the world..





YORKER



Water Boiler Features

- Mirror Polished 304 grade stainless steel body with welded joints for superior corrosion resistance and easy cleaning.
- Flat Top Concealed Heating Element with dual nickel chrome filament (CR20Ni80 filament) enhance life span, resist oxidation, minimize boiling time as well offer ease for descaling when required.
- Dual Auto safety Boil-Dry protection with manual Re-Set Functions. Turn off the power if the urn boils dry.
- Optimal Safety Protection fitted with a separate fuse.
- Capillary thermostat for precise temperature control.
- Heavy duty non-drip faucet with high quality Nickel finish.
- 13A Fused Molded plug BS 1363
- Dual Indicator Lamp
- Safety HG plastic lid handle protects your hands from burns
- Scientific lid design reduces risk from condensation



Salient Features of Yorker Catering Urn:

- ▶ A unique improved model with its name and performance over these years has proven it as the best of catering urns.
- ▶ Fitted with dual stainless steel concealed heating element with multiple manual temperature sensor and fuse leads to optimum performance
- ▶ Saves energy up to 40% compare to the appliances fitted with single concealed heating element.
- ▶ Capillary thermostat precisely controls the water boiling temperature thereby saving water up to 30%.
- ▶ A domed reverse helps return condensation.

Presentation:

Individual carton packs of 10L, 20L, 30L and 40L.

A Comprehensive range of compact controls and safety ensure Yorker Catering Urn of optimum installation performance and value added opportunities backed by prompt after sales service.



MODEL	CAPACITY	POWER	VOLTAGE & FREQUENCY
Y2104SU	10 LTR	2500W	220V - 50/60Hz
Y2113SU	20 LTR	2500W	220V - 50/60Hz
Y2122SU	30 LTR	3000W	220V - 50/60Hz
Y2131SU	40 LTR	3000W	220V - 50/60Hz

Water Boiler Features

- Mirror Polished 304 grade stainless steel body with welded joints for superior corrosion resistance and easy cleaning.
- Stainless steel flat top concealed heating element.
- Auto safety Boil-Dry protection with manual Re-Set Functions. Turn off the power if the urn boils dry.
- Capillary thermostat for precise temperature control.
- Heavy duty non-drip faucet.
- 13A Fused Molded plug BS 1363
- On-Off LED indicator.
- Safety HG plastic lid handle protects your hands from burns
- Scientific lid design reduces risk from condensation



Presentation:

Individual carton packs of 10L, 20L, 30L and 40L.



A Comprehensive range of compact controls and safety ensure Yorker Catering Urn of optimum installation performance and value added opportunities backed by prompt after sales service.



MODEL	CAPACITY	POWER	VOLTAGE & FREQUENCY
Y1105ST	10 LTR	2500W	220V - 50/60Hz
Y1123ST	20 LTR	2500W	220V - 50/60Hz
Y1132ST	30 LTR	3000W	220V - 50/60Hz
Y1141ST	40 LTR	3000W	220V - 50/60Hz

COMMERCIAL BLENDER WITH TRITAN JAR

1800

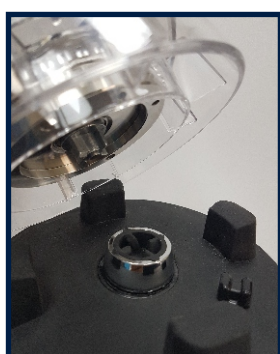
Watts Power

 **BPA
Free**



Product Information

- Jar-Made of Eastman Tritan Copolyester, unbreakable BPA free, Specially designed to create a powerful vortex force ingredients up from the blade and back down the center for thorough processing, Filler cap to add ingredients while blending.
- Base - Unbreakable and heat proof poly carbonate housing.
- Peak Power - 1800W.
- Sound insulation devise mounted in base.
- High speed setting. Max momentary speed of 29,000 RPM is allowed. Especially the ice-crushing button, not only handles ice crushing well, but also deals perfectly with thick, and large food materials.
- Pulse-start and stop command to refresh recipes and create a variety of textures. Pre-programmed button for ice crushing - When the button is pushed, a pre-programmed cycle automatically stop and start then shut-off when cycle is complete.
- Integrated PCB safety control and protection. Automatic shut-off for over load protection.
- Smart PCB proceeds self-check for overload auto-thermal protection, under-voltage and over-voltage protection and current protection. Prevents hazard to user by improper use and damage to blender.



MODEL NO. Y3004EG

Voltage	220-240V	Frequency	50/60Hz
Peak Power	1800W	Jar Capacity	2 LTR

COMMERCIAL BLENDER WITH TRITAN JAR

1800

Watts Power

 **BPA
Free**





Product Information

- Triton (BPA-Free) jar, FDA certified
- PC unbreakable plastic for motor base and cover
- High temperature resistant double ball bearings
- Imported durable double oil seal
- Dedicated SS Titanium coated blade leaves
- Powerful 2.5HP (1800W) motor with 29,000RPM
- 4-speed control offers free choice for any ideal creation
- LED display, adjustable timer
- Pulse/Flash button
- Two part spill proof lid
- Unbreakable Jar, 2L
- High Quality NSK ball bearing and Teflon Seal for low friction and durability
- Full-copper, powerful motor, high RPM for efficiency, auto overheat cut-off
- Overload protection
- Metal-to-metal blade and socket stainless steel retainer
- Multi-functional blender, fine chop, grind or fully blend ingredients, dry or wet blending, paste or smoothie, ice-crushing

MODEL NO. Y3013SG

Voltage	220-240V	Frequency	50/60Hz
Peak Power	1800W	Jar Capacity	2 LTR

COMMERCIAL BLENDER

1200

Watts Power



Product Information

- Variable speed control offers free choice for any ideal creation
- Pulse/Flash button
- Two part spill proof lid
- Full-copper, powerful motor, high RPM for efficiency, auto overheat cut-off
- Overload protection
- Multi-functional blender, fine chop, grind or fully blend ingredients, dry or wet blending, paste or smoothie, ice-crushing
- Food grade unbreakable Polycarbonate jar
- ABS plastic for motor base and cover
- High quality NSK double ball bearings and Teflon seal for low friction and durability
- 6 SS blade leaves
- Powerful motor, 1.5HP (1200W), with 29,000RPM

MODEL NO. Y3121EB

Voltage	220-240V	Frequency	50/60Hz
Peak Power	1200W	Jar Capacity	2 LTR

AUTOMATIC ELECTRIC KETTLE

1.7

Litre Capacity



Product Information

- Mirror polished stainless steel body. (SUS304)
- Concealed heating element.
- Lighted on-off switch integrated in ergonomic handle.
- Automatic switch-off : Automatically switch off when water has boiled.
- Boil-dry protection.
- Multi level safety protection.
- Energy saving-quick boiling.
- Yorker Traditional kettle distinguished by its simple and safe operation. The concealed heating element is protected against lime scale deposits. Safe pouring is guaranteed.



MODEL NO. Y4102TR

Voltage	:	220-240V	Frequency	:	50/60Hz
Power	:	2000W	Capacity	:	1.7 LTR

AUTOMATIC ELECTRIC KETTLE

1.7

Litre Capacity




YORKER



Product Information

- 360° Cordless kettle
- Indicator Light
- Concealed heating element
- Water level indicator
- Automatic and manual switch off
- Stainless steel cover and base
- Fitted with BS plug
- Strix controller
- SUS304 Stainless steel body with 0.5mm thickness
- Removable filter



MODEL NO. Y4030JK

Voltage	:	220-240V	Frequency	:	50/60Hz
Power	:	1850-2200W	Capacity	:	1.7 LTR

AUTOMATIC ELECTRIC KETTLE

1.7

Litre Capacity



YORKER



Product Information

- 360° Cordless Jug-kettle
- On/Off Indicator Light
- Concealed heating element
- Safety lock Lid
- Automatic and manual switch off
- Boil dry protection
- Fitted with BS plug
- Strix controller
- SUS304 Stainless steel body with 0.5mm thickness
- Stainless steel cover and base
- Removable filter



MODEL NO. Y4300JK

Voltage	:	220-240V	Frequency	:	50/60Hz
Power	:	1850-2200W	Capacity	:	1.7 LTR

ARABIC COFFEE MAKER

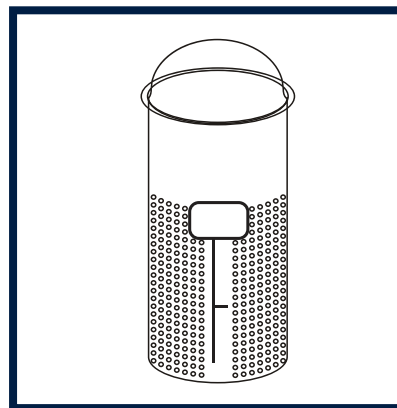
875

ml Capacity



Product Information

- Arabic coffee at a press of a button
- Automatic keep warm for 120 min.
- Three brewing programs for Arabic coffee (5,10,15) minutes.
- Removable filter easy to clean
- Possibility to use any type of coffee
- Over flow protection
- SUS304 Stainless steel body
- Boil Dry protection
- 360° moving base
- Cordless pot
- Digital screen



MODEL NO. Y4210AC

Voltage	:	220-240V	Frequency	:	50/60Hz
Power	:	1200W	Capacity	:	875 ml

ELECTRIC CONTACT GRILL



Product Information

MODEL NO. Y5011CG

- Electric contact grill medium
- Stainless steel housing with cast iron grooved plates
- Drip tray with handle
- With scrapper
- Thermostatic control up to 300° C
- Dimension: 38.5 x 41 x 24cm
- 220-240v 50/60 1850-2400w





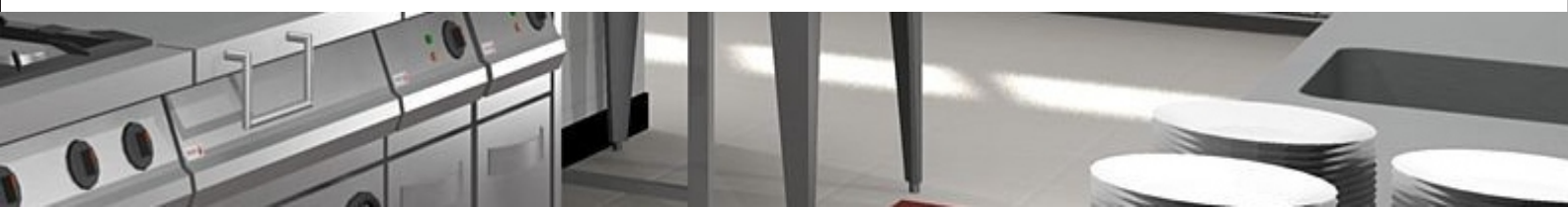
YORKER



Product Information

MODEL NO. Y5002CG

- Electric contact grill double
- Stainless steel housing with cast iron grooved plates
- Drip tray with handle
- With scrapper
- Thermostatic control up to 300° C
- Dimension: 60 x 41 x 24cm
- 220-240v 50/60 3600w



DEEP FRYER



Product Information

MODEL NO. Y6082DF

Electric Deep Fryer, Floor-Style Double Tank - Professional Kitchen Equipment

- High grade stainless steel construction, Luxury box design.
- Large capacity oil tanks.
- Improving efficiency meet the customer needs.
- Thermostat control up to 200C and provide response to the temperature change.
- Temperature limit safety device prevent overheating (Manual reset)
- Water proof on/off switch with oil resistant protection over.

Capacity	: 16L x 2
Voltage	: 220~240V
Power	: 3 KW x 2
Size	: 69 x 68.5 x 102 cm
G.W. / N.W.	: 57 / 56 kg
Packing Size	: 73 x 73 x 106 cm





Product Information

MODEL NO. Y6064DF

Counter-Top Deep Fryer Commercial with Tap, Stainless Steel Tank Gas.

- High grade stainless steel construction, Luxury box design.
- Large capacity oil tanks.
- Improving efficiency meet the customer needs.
- Thermostat control up to 200C and provide response to the temperature change.
- Temperature limit safety device prevent overheating (Manual reset)
- Water proof on/off switch with oil resistant protection over.

Capacity	: 16.68 L
Voltage	: 220~240V
Size	: 69 x 68.5 x 102 cm
G.W. / N.W.	: 34 / 33 kg
Packing Size	: 39 x 66 x 66 cm

YORKER INTERNATIONAL REACH OUT



0 miles 1000 2000 3000 miles
scale at the Equator

THE WORLD



YORKER

PROFESSIONAL APPLIANCES

Under Licence from

Yorker Industries LLP
Kemp House 160 City Road, London EC1V 2NX, United Kingdom

P.O.Box: 329277, RAKEZ, Ras Al Khaimah, U.A.E.
Tel: +971 72437330 Fax: +971 72364366
Email: sales@yorker.biz

www.yorker.biz